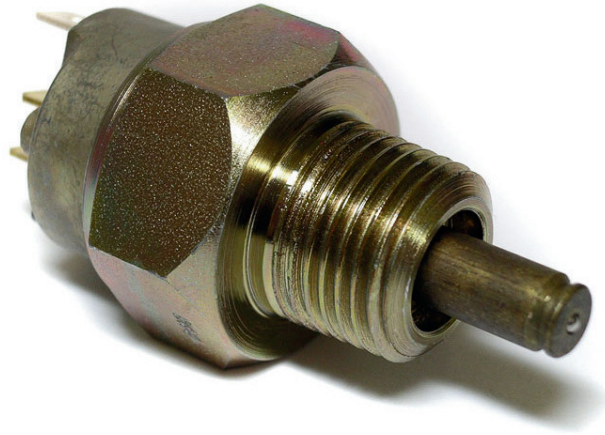


76.TS Temperature Switch

A compact and economical temperature switch for signalling high temperature faults, the 76.TS is ideally suited for direct mounting to engines, pumps, compressors and gearboxes.

The SPDT switch contacts are factory set to operate at 105°C rising. Connection to the contacts is via ¼" (6.25mm) blade terminals.



Specifications

Temperature ratings

Operating range: 20 to 140°C (68 - 284°F)
Switch setting: 105°C (221°F) rising, non-adjustable
Switch differential: auto reset at approx 9°C below rising switch setting
Tolerance: +/- 3.0°C
Max. over temperature: 25°C above set point

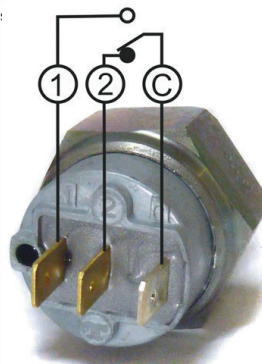
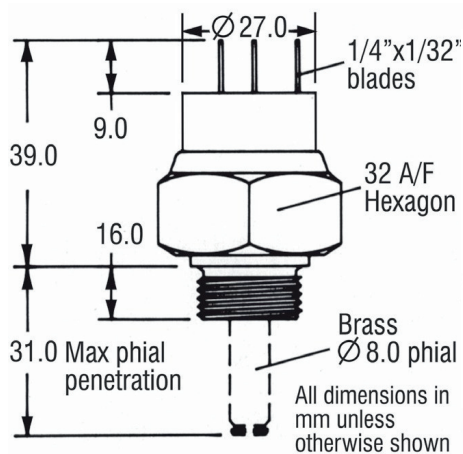
Contacts

Contact type: SPDT contacts (volt-free/dry)
Rating: 5A max @ 24VDC (resistive), 2A max @ 24VDC (inductive)
Connection terminals: 6.35mm (1/4 in.) blades

Physical

Body type/material: 32 A/F hex, passivated steel, zinc plated
Diaphragm material: stainless steel
Bulb material: brass
Case sealing: IP65
Max external bulb pressure: 12 bar / 174 psi / 1200 kPa
Process connection: 1/2 in. NPTF
Max. tightening torque: 60 Nm
Max. body temperature: 120°C (248°F)
Acceleration: 8g max
Weight: approx 140g

Dimensions & Connection



How to Order

Stock code	Description
76.TS.D105	76.TS temperature switch, 1/2" NPTF, 105° rising

Special temperature settings and thread sizes are available for volume orders. Please contact our sales office for details.

SALES CONTACT

ENOVATION
CONTROLS®

CONTACT

✉ sales@rajkotmarinellc.ae
☎ +971 6 7487580
🌐 www.rajkotmarine.co

RAJKOT MARINE LLC

Jerf Industrial Area 1,
P.O Box 5861
Ajman, UAE

